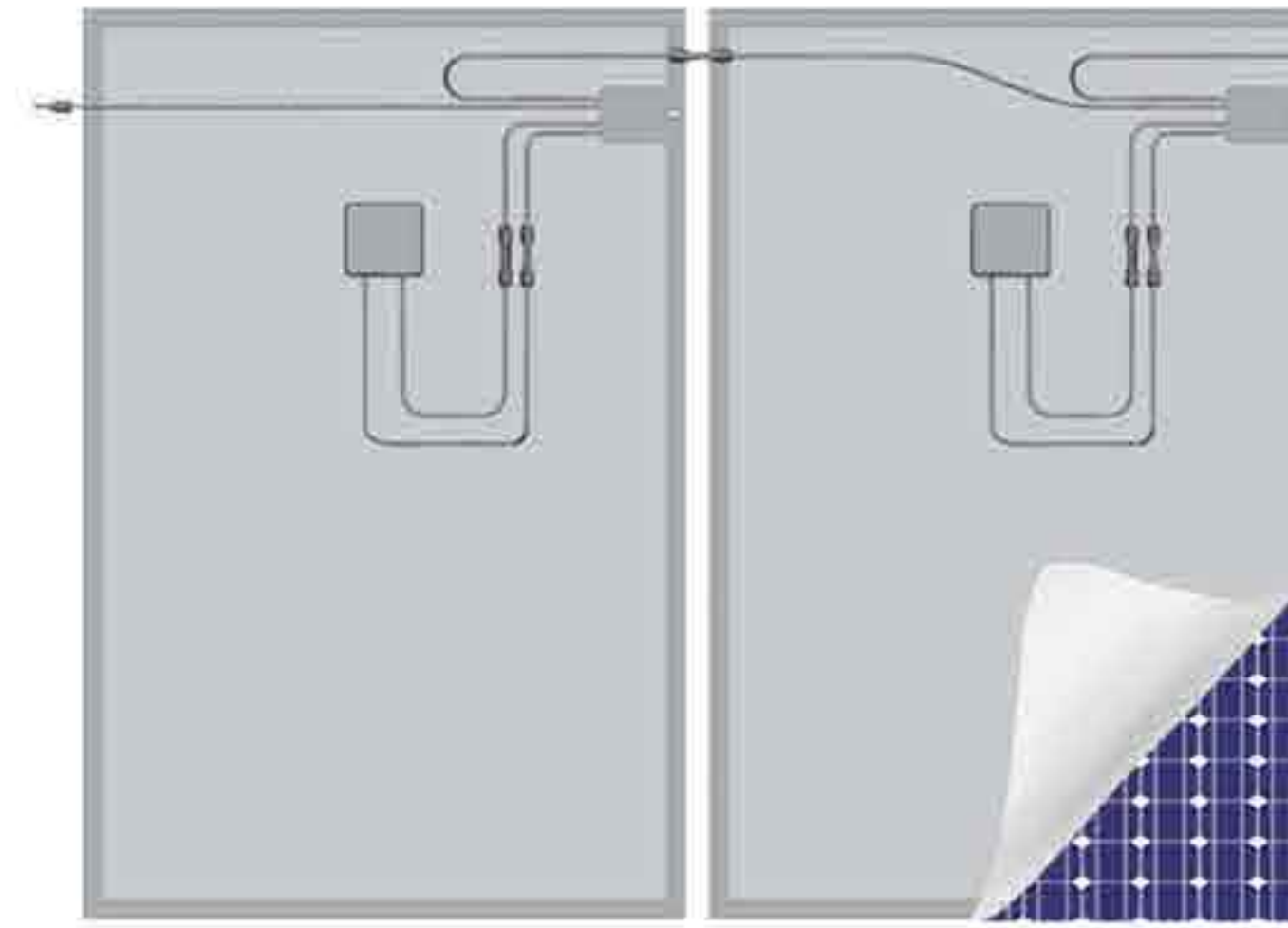


# Sole Rapid Shutdown Device Scoutbee800/~800M



## Product Picture



## Product features

- ⚙ Module-level shutdown to shut off the source of string high voltage, completely reduce the risk of personal shock.
- ⚙ Default shutdown state to ensure the personal safety of installation and maintenance personnel.
- ⚙ PLC communication, no need additional communication cable , and convenient for installation.
- ⚙ Safe and reliable, with function of output short circuit protection, no risk of high temperature for any component failure.
- ⚙ 25 years lifespan, perfectly matching solar modules.

## Technical Data

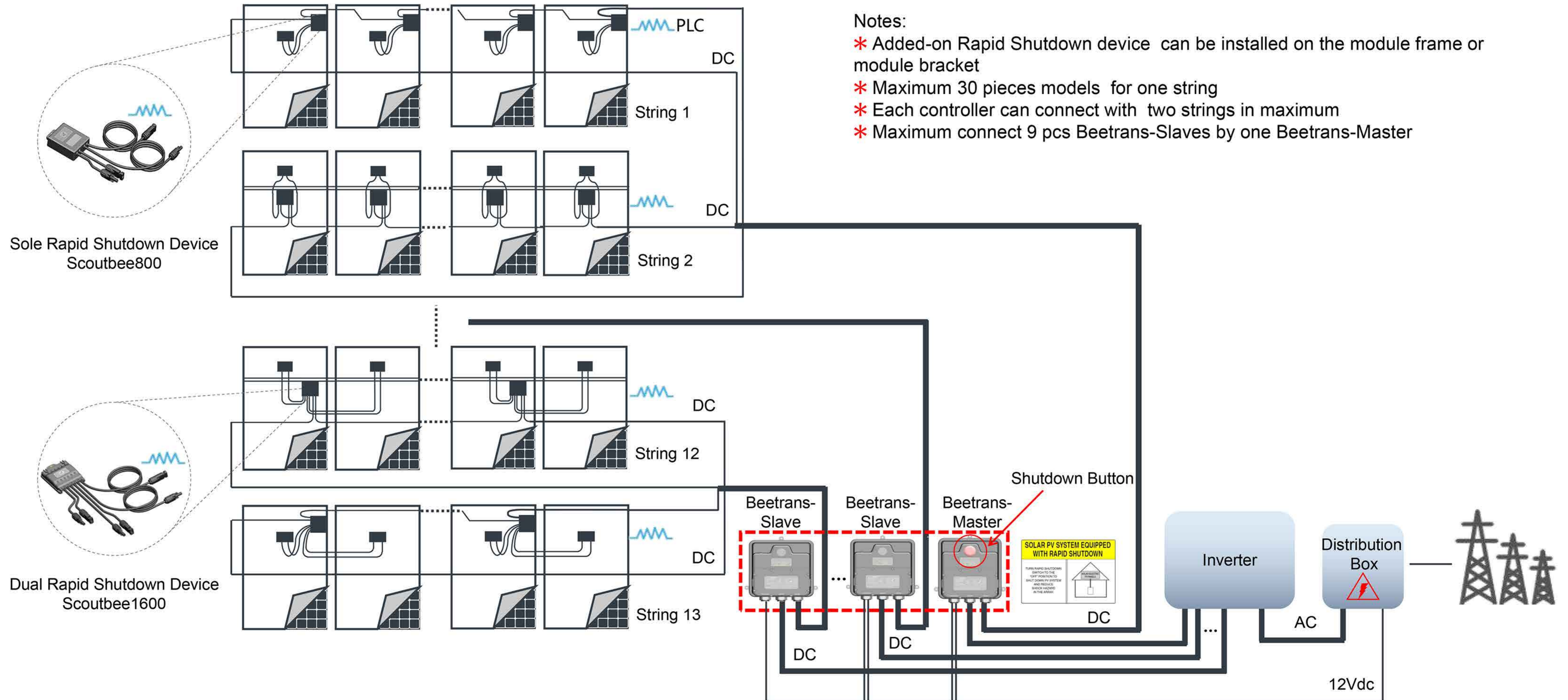
Product Code	Scoutbee800	Scoutbee800M
TECHNICAL DATA		
Max Input Power		800 W
Max Open Voltage		80 V
Working Voltage		12 V
Working Voltage Range		12~80 V
Max Input Current		20 A
OUTPUT		
Working Current Range		12~80 V
Max Output Current		20 A
Max Output Power		800 W
Efficiency		>99.8%
Shutdown Voltage		0.8~1V
Default Working State		Shutdown
COMMUNICATION TYPE		
Rapid Shut Down		PLC: Power Line Communication Communication Distance: 300m
Real-time Monitoring	N/A	RF (Radio Frequency) Communication Radius: 50m
INSTALLATION SPECIFICATION		
Max No. of Modules per String		30 pcs
ShutdownTime		15 Seconds
Connector		Compatible with MC4 / Customizable
Input Cable Length		200mm / Customizable
Output Cable Length		1000mm / Customizable
Size		127.5 x 106 x 22 mm
Weight		360 g
Temperature range		-40 ~ 85°C
Relative humidity range		0 ~ 100 %
Ingress Protection		IP68
STANDARD COMPLIANCE		
Regulations		NEC 2020 690.12
Safety		IEC/EN 62109-1:2010
EMC		IEC/EN 61000-6-2 ; IEC/EN 61000-6-3

# PV Rapid Shutdown Solution (Added-on Rapid Shutdown device, PLC Communication)

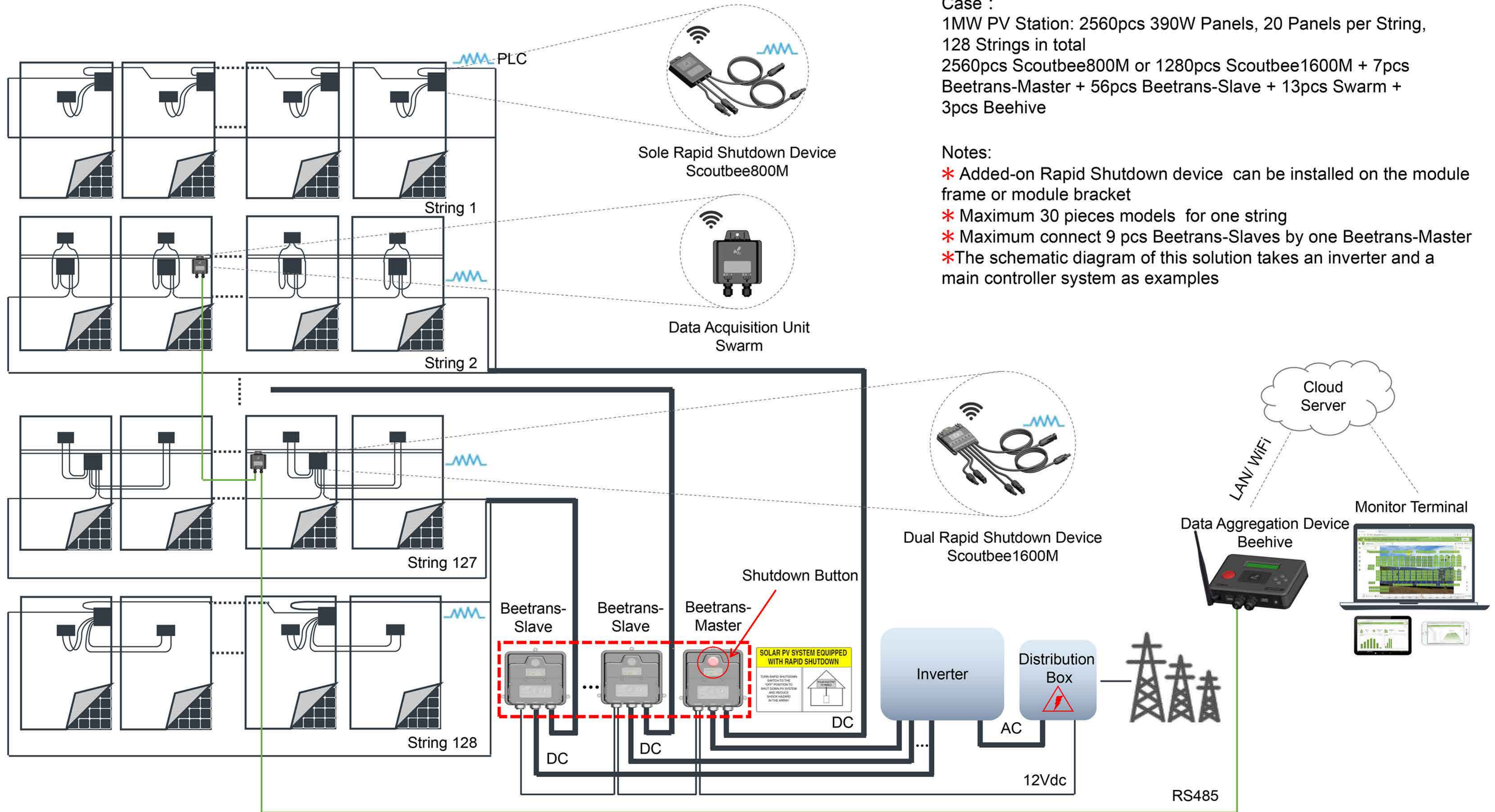
Case :

100KW PV Station: 260pcs 390W Panels, 20 Panels per String, 13 Strings in total

260pcs Scoutbee800 or 130pcs Scoutbee1600 + 1pcs Beetrans-Master + 6pcs Beetrans-Slave



# PV Rapid Shutdown & Monitoring Solution (Added-on Rapid Shutdown device, RF+PLC Communication)



# Rapid Shutdown & Monitoring Solution (Added-on Rapid Shutdown Device, RF+PLC Communication)

Case :

10MW PV Installation: 25600pcs 390W Modules , 20 Panels per String, 1250 Strings in total

25600pcs Scoutbee800M or 12800pcs Scoutbee1600M + 79pcs Beetrans-Max + 128pcs Swarm + 26pcs Beehive

Notes:

- \* Added-on Rapid Shutdown device can be installed on the module frame or module bracket
- \* Maximum 30 pieces models for one string
- \* Take 1 shutdown box , 1 combination box , 1 inverter as an example
- \* DC Switch, Shutdown all modules connected to that rapid shutdown box
- \* AC Switch, Shutdown all rapid shutdown boxes and all modulus that connected to it

