

Shutdown Transmitter Beetrans-Master / ~Slave



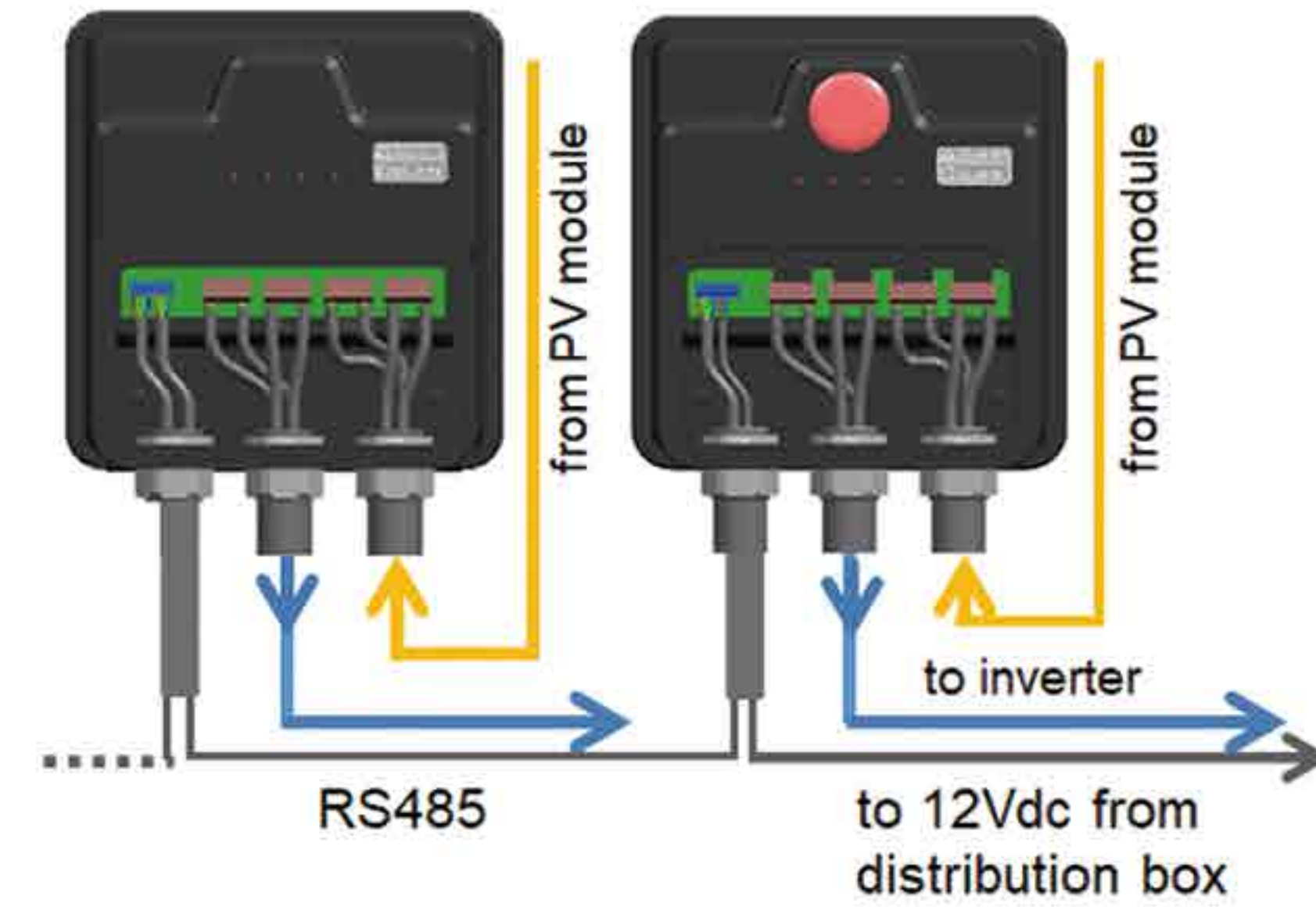
Product Picture



Beetrans - Master



Beetrans - Slave



Product features

- ⚙ Support two PV strings, suitable for most roof station.
- ⚙ Cascade connection with Max. 10Pcs, suitable for large scale roof station.
- ⚙ Communicate over Power Line Communications, no need additional communication cable, easy to install.
- ⚙ String detect function to ensure shutdown system more secure and reliable.

Technical Data

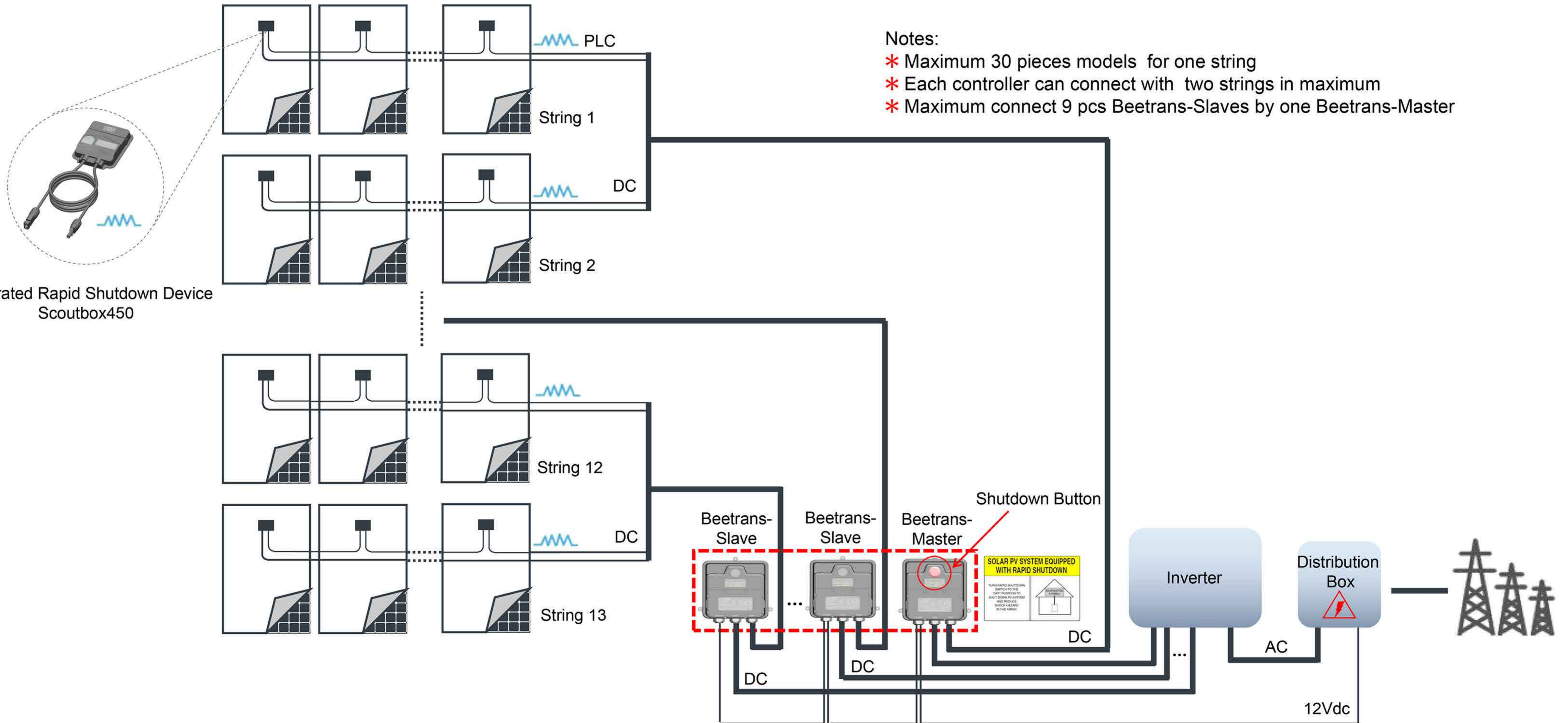
Product Code	Beetrans-Master / ~Slave
TECHNICAL DATA	
Working Voltage	12 V
Average Power Consumption	1.2 W
Support Strings	2 strings
Max Single String Current	15 A
Cascade Control	Yes
Maximum of Cascade	10 pcs
System Voltage	1000 V / 1500 V
INSTALLATION SPECIFICATION	
Size	220 x 210 x 65 mm
Number of Bore	3
Bore Diameter	27.8 mm
EMT tube	3/4 inch
Weight	850 g
Type of Communication	PLC / RS485
Temperature Range	-20 ~ 60°C
Relative Humidity Range	0 ~ 100%
Ingress Protection	IP65 / NEMA Type3R
STANDARD COMPLIANCE	
Regulations	NEC 2017 (690.12)
Safety	UL1741 , CSA C22.2 No. 330 , UL 1703 , ULC1703-01
EMC	FCC Part15 ClassB
	IEC61000-6-2 / IEC61000-6-3
	EN61000-6-2 / EN61000-6-3
Hardware and Software Safety Standards	UL 991 , UL 1998 , CSA C22.2 No. 0.8 -12

PV Rapid Shutdown Solution (Integrated Rapid Shutdown device, PLC Communication)

Case :

100KW PV Station: 260pcs 390W Panels, 20 Panels per String, 13 Strings in total

260pcs Scoutbox450 + 1pcs Beetrans-Master + 6pcs Beetrans-Slave

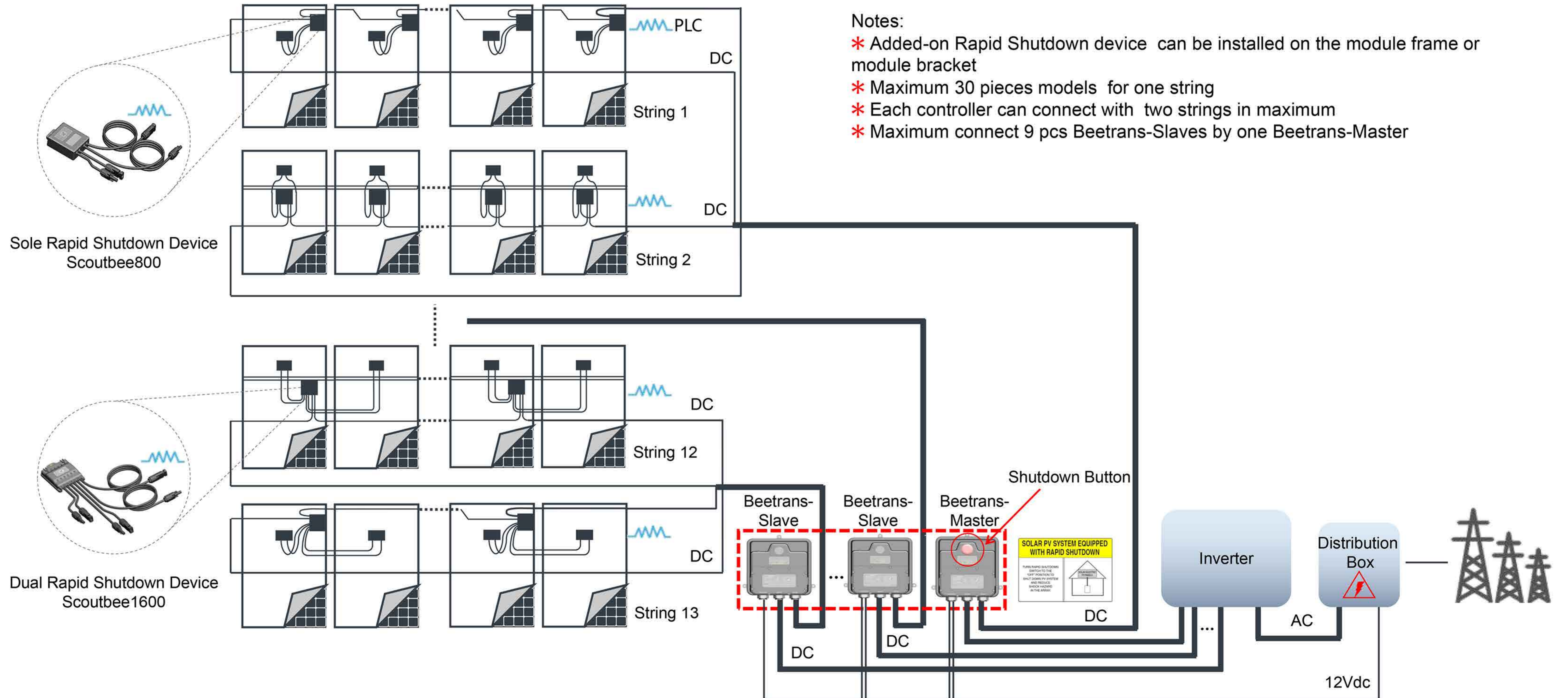


PV Rapid Shutdown Solution (Added-on Rapid Shutdown device, PLC Communication)

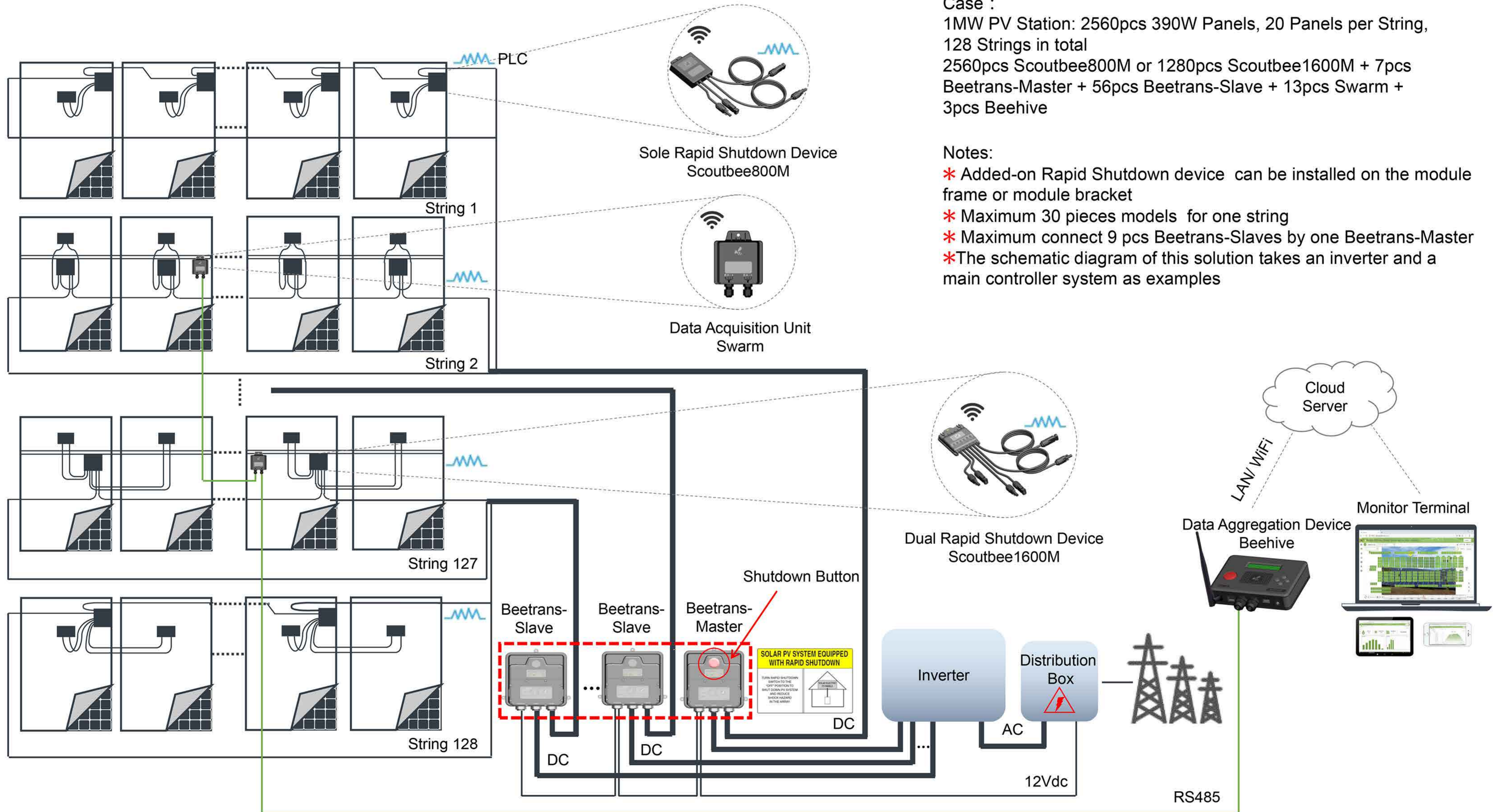
Case :

100KW PV Station: 260pcs 390W Panels, 20 Panels per String, 13 Strings in total

260pcs Scoutbee800 or 130pcs Scoutbee1600 + 1pcs Beetrans-Master + 6pcs Beetrans-Slave



PV Rapid Shutdown & Monitoring Solution (Added-on Rapid Shutdown device, RF+PLC Communication)



Case :
 1MW PV Station: 2560pcs 390W Panels, 20 Panels per String,
 128 Strings in total
 2560pcs Scoutbee800M or 1280pcs Scoutbee1600M + 7pcs
 Beetrans-Master + 56pcs Beetrans-Slave + 13pcs Swarm +
 3pcs Beehive

- Notes:
- * Added-on Rapid Shutdown device can be installed on the module frame or module bracket
 - * Maximum 30 pieces models for one string
 - * Maximum connect 9 pcs Beetrans-Slaves by one Beetrans-Master
 - * The schematic diagram of this solution takes an inverter and a main controller system as examples

Sole Rapid Shutdown Device
Scoutbee800M

Data Acquisition Unit
Swarm

Dual Rapid Shutdown Device
Scoutbee1600M

Data Aggregation Device
Beehive

Monitor Terminal

Cloud Server

LAN/WIFI

Shutdown Button

Beetrans-Slave

Beetrans-Slave

Beetrans-Master

SOLAR PV SYSTEM EQUIPPED WITH RAPID SHUTDOWN

DC

Inverter

Distribution Box

AC

12Vdc

RS485