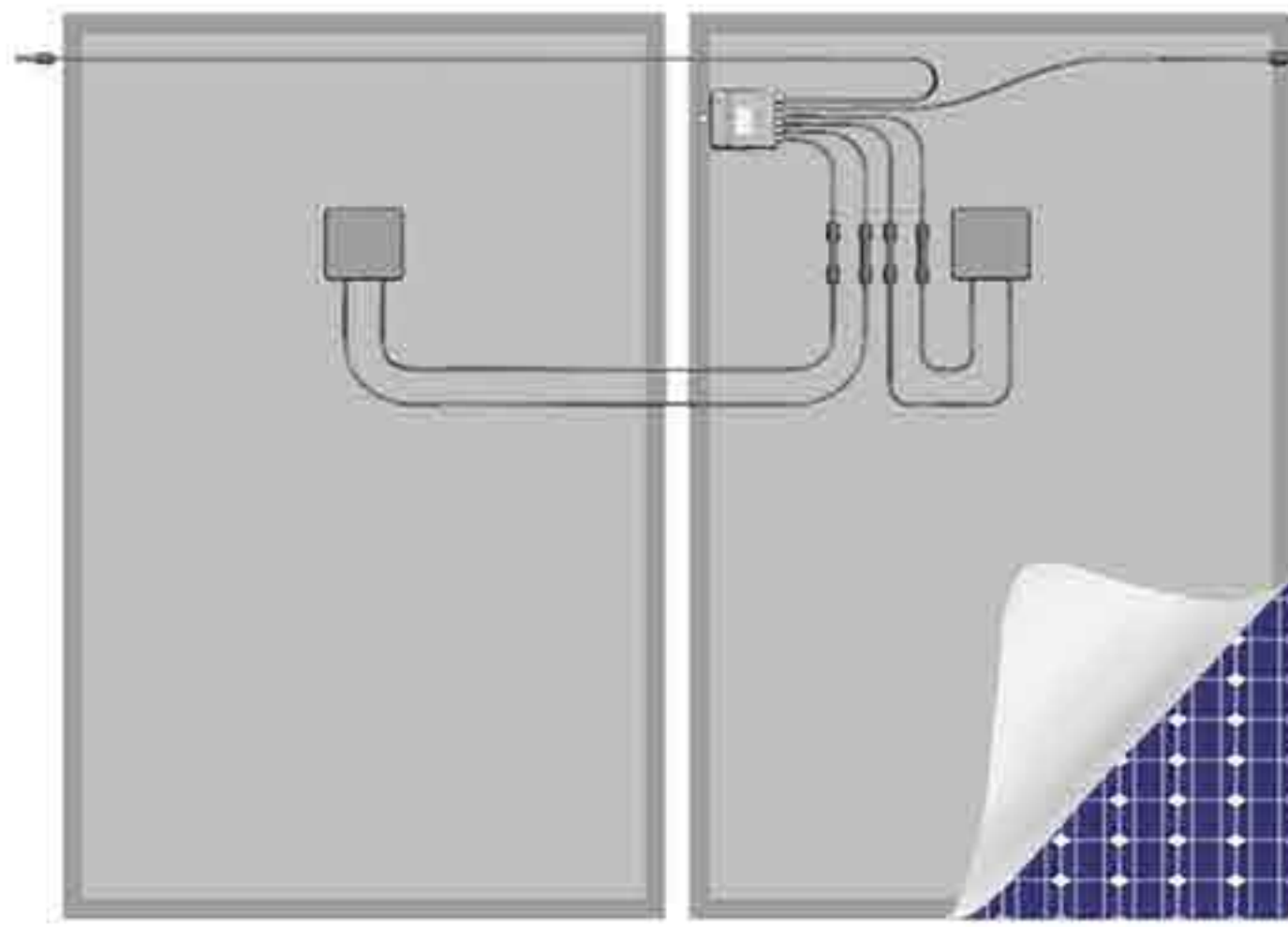


# Dual Rapid Shutdown Device Scoutbee1600/~1600M

## Product Picture



## Product features

- ⚙️ Module-level shutdown to shut off the source of string high voltage, completely reduce the risk of personal shock.
- ⚙️ Default shutdown state to ensure the personal safety of installation and maintenance personnel.
- ⚙️ PLC communication, no need additional communication cable , and convenient for installation.
- ⚙️ Safe and reliable, with function of output short circuit protection, no risk of high temperature for any component failure.
- ⚙️ 25 years lifespan, perfectly matching solar modules.

## Technical Data

Product Code	Scoutbee1600		Scoutbee1600M		
INOUT					
Number of Module	Input#1	Input#2	2pcs	Input#1	Input#2
Max Input Power			800 W		
Max Input Voltage			80 V		
Max Input Current			15 A		
Working Voltage Range			12 V ~ 80 V		
OUTPUT					
Max Output Power			1600 W		
Max Output Voltage			12 V ~ 160 V		
Max Output Current			15 A		
Efficiency			>99.9%		
Default Working State			Shutdown		
Shutdown Voltage			1.6 V ± 0.2 V		
Communication Type	Shutdown: PLC		Shutdown: PLC		Swarm: RF wirelss
Communication Distance	PLC: 300m (from Beetrans)		PLC: 300m (from Beetrans)		RF: 50m (from Swarm)
Real-time Monitoring					
Communication			RF (915M/2.4G)		
INSTALLATION SPECIFICATION					
Max No. of Modules per String			30 pcs		
ShutdownTime			<30 Seconds		
Size			127.5 x 106 x 22 mm		
Weight			450 g		
Input Cable Length	200mm / Customizable	300mm / Customizable	200mm / Customizable	300mm / Customizable	
Output Cable Length			1600mm / Customizable		
Connector			Compatible with MC4 / Customizable		
Temperature Range			-40 ~ 85°C		
Relative Humidity Range			0 ~ 100%		
Ingress Protection			IP68/NEMA Type6P		
STANDARD COMPLIANCE					
Regulations			NEC 2017 690.12		
Safety			UL1741, IEC / EN62109-1		
EMC			FCC Part15 ClassB IEC61000-6-2 ; IEC61000-6-3, EN61000-6-2 ; EN61000-6-3		

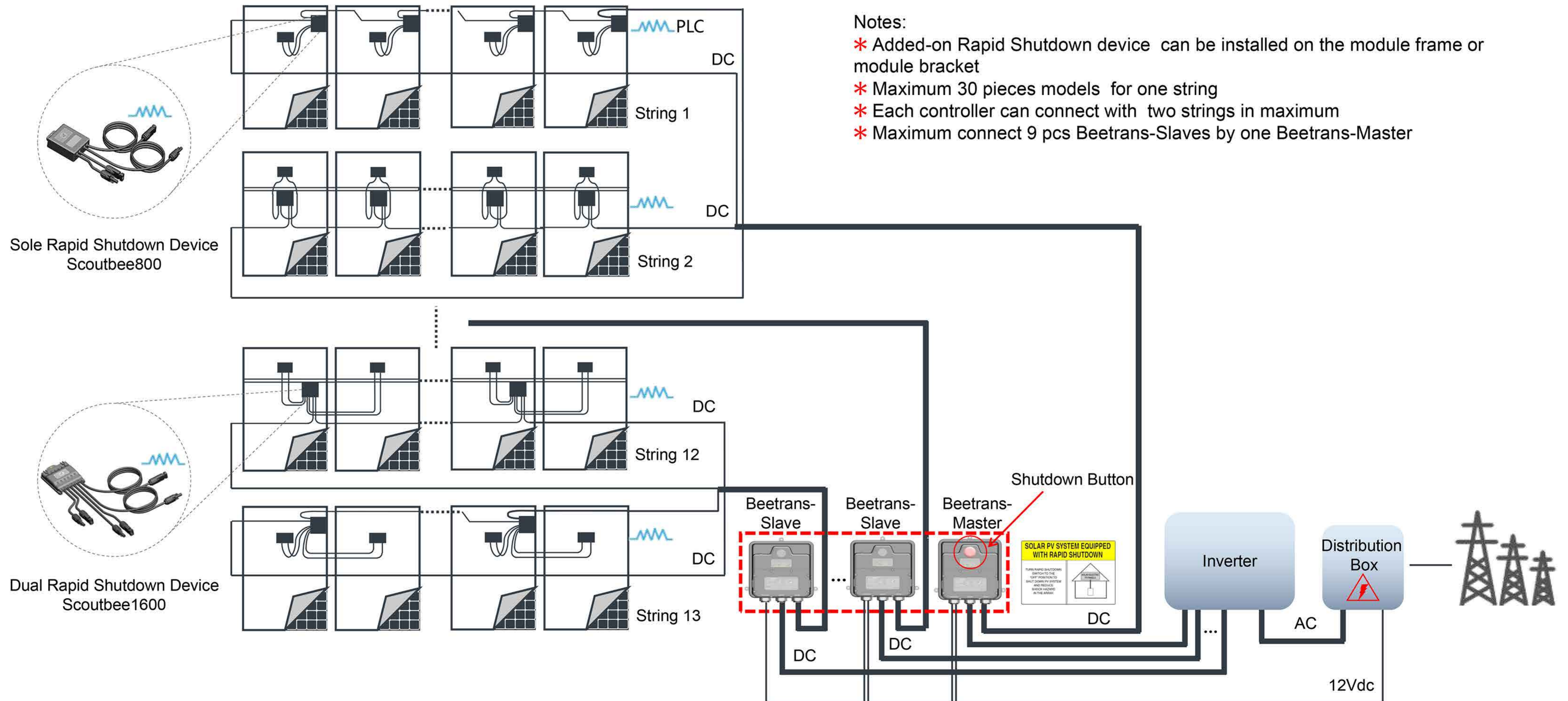


# PV Rapid Shutdown Solution (Added-on Rapid Shutdown device, PLC Communication)

Case :

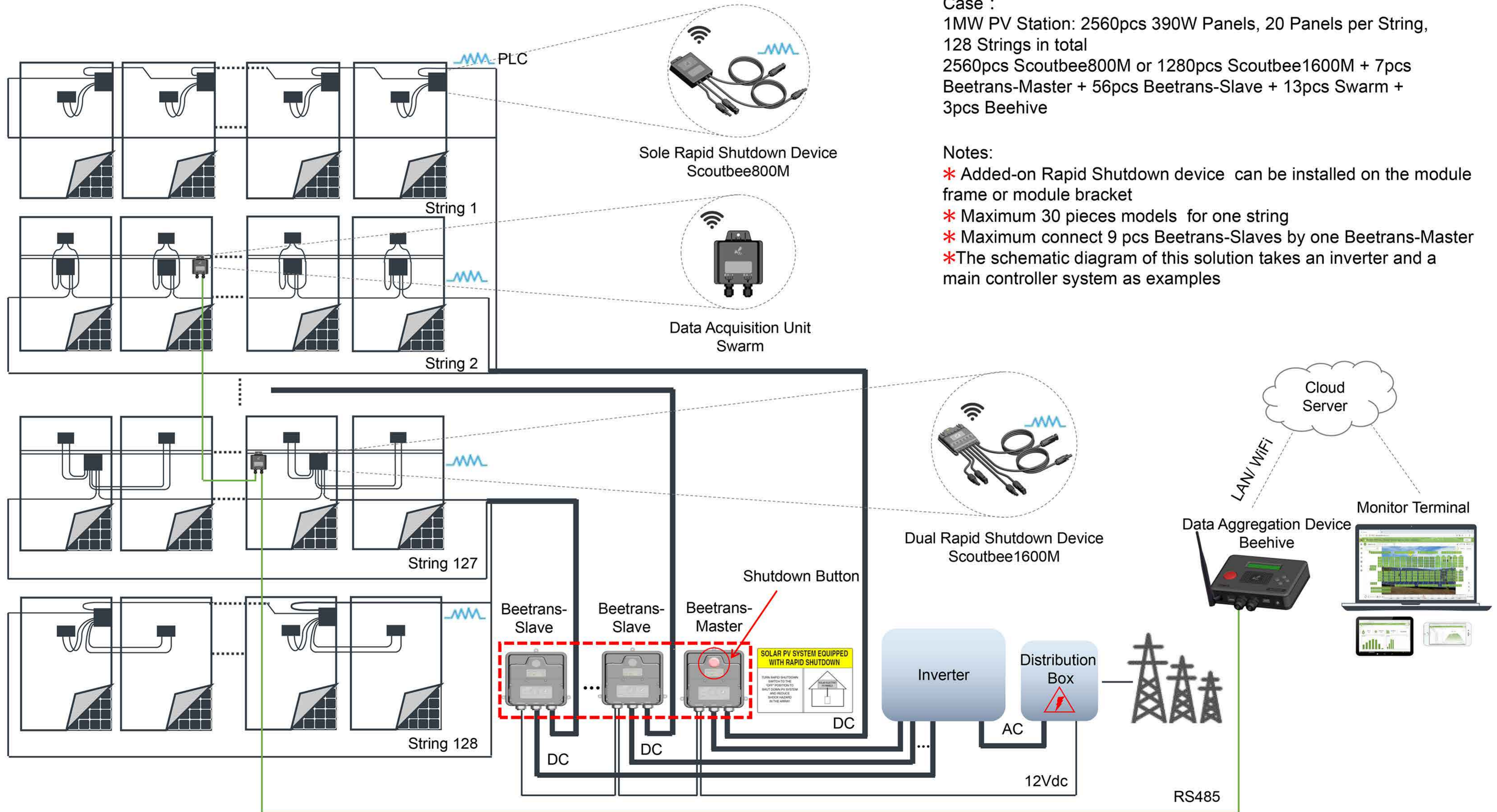
100KW PV Station: 260pcs 390W Panels, 20 Panels per String, 13 Strings in total

260pcs Scoutbee800 or 130pcs Scoutbee1600 + 1pcs Beetrans-Master + 6pcs Beetrans-Slave





# PV Rapid Shutdown & Monitoring Solution (Added-on Rapid Shutdown device, RF+PLC Communication)





# Rapid Shutdown & Monitoring Solution (Added-on Rapid Shutdown Device, RF+PLC Communication)

Case :

10MW PV Installation: 25600pcs 390W Modules , 20 Panels per String, 1250 Strings in total

25600pcs Scoutbee800M or 12800pcs Scoutbee1600M + 79pcs Beetrans-Max + 128pcs Swarm + 26pcs Beehive

Notes:

- \* Added-on Rapid Shutdown device can be installed on the module frame or module bracket
- \* Maximum 30 pieces models for one string
- \* Take 1 shutdown box , 1 combination box , 1 inverter as an example
- \* DC Switch, Shutdown all modules connected to that rapid shutdown box
- \* AC Switch, Shutdown all rapid shutdown boxes and all modulus that connected to it

